

## Talis M54

Single lever kitchen mixer U 220, 1jet

Surfaces: **Matt Black** Article Number: **72806670**



### Description

#### product features

- ComfortZone 220
- swivel range adjustable in 4 steps 60°, 110°, 150° or 360°
- laminar spray
- connection dimension: DN15
- maximum flow rate at 3 bar: 9 l/min
- ceramic cartridge
- connection type: G 3/8 connections
- suitable for continuous flow water heaters

### Technology



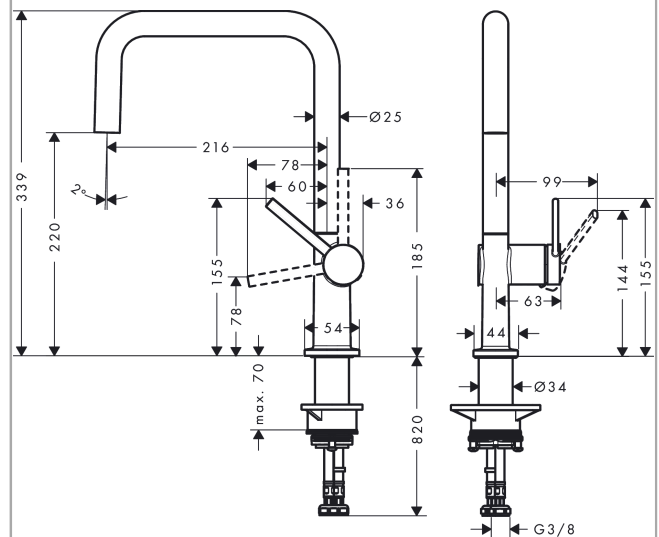
### Design awards



### Product image



### Scale drawing



### Flowchart

