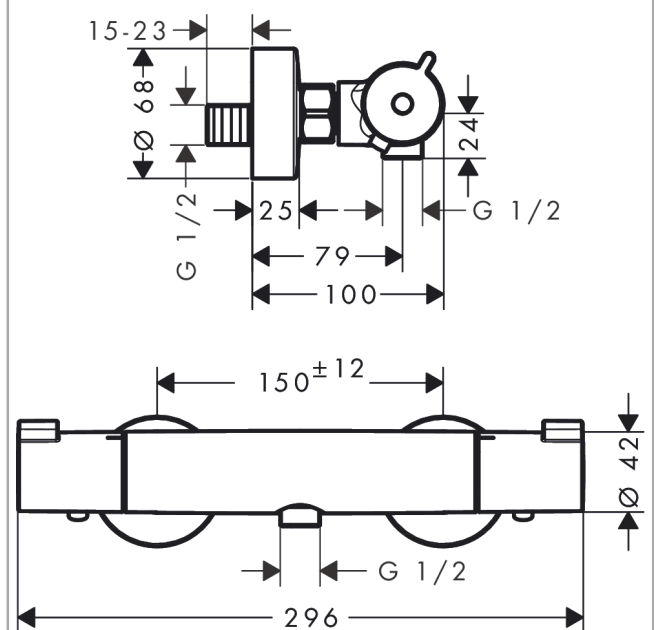


**Ecostat****Shower thermostat 1001 CL for exposed installation**Surfaces: **Chrome** Article Number: **13211000****Description****product features**

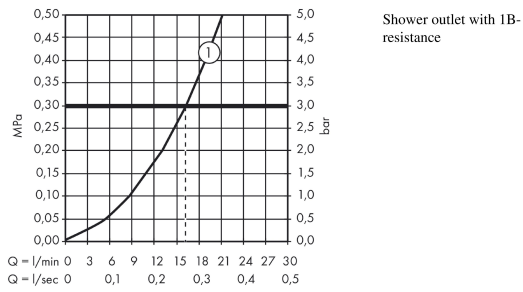
- 1 function
- centre distance:  $150 \pm 12$  mm
- EcoStop button limits the water consumption to 10 l/min
- maximum flow rate at 3 bar: 17 l/min
- flow rate hand shower connection at 3 bar: 17 l/min
- thermostat cartridge, ceramic valve  $180^\circ$
- min. operating pressure: 1 bar
- max. operating pressure: 10 bar
- safety lock at  $40^\circ$  C
- temperature limitation adjustable
- non-return valve
- with silencer
- material handles: metal
- connection type: s-shaped connections
- connection dimension: DN15
- dirt filter included
- ETA VA 1.43/18227
- VTT-RTH-00125-09
- ACS 19 ACC NY 086, valide jusqu'au 19.05.2024
- NF\_375-M1-20-1
- WRAS 1805016
- SINTEF 1427
- Agréé Belgaqua

**Product image****Scale drawing**

**Ecostat**  
**Shower thermostat 1001 CL for exposed installation**  
 Surfaces: **Chrome** Article Number: **13211000**



**Flowchart**

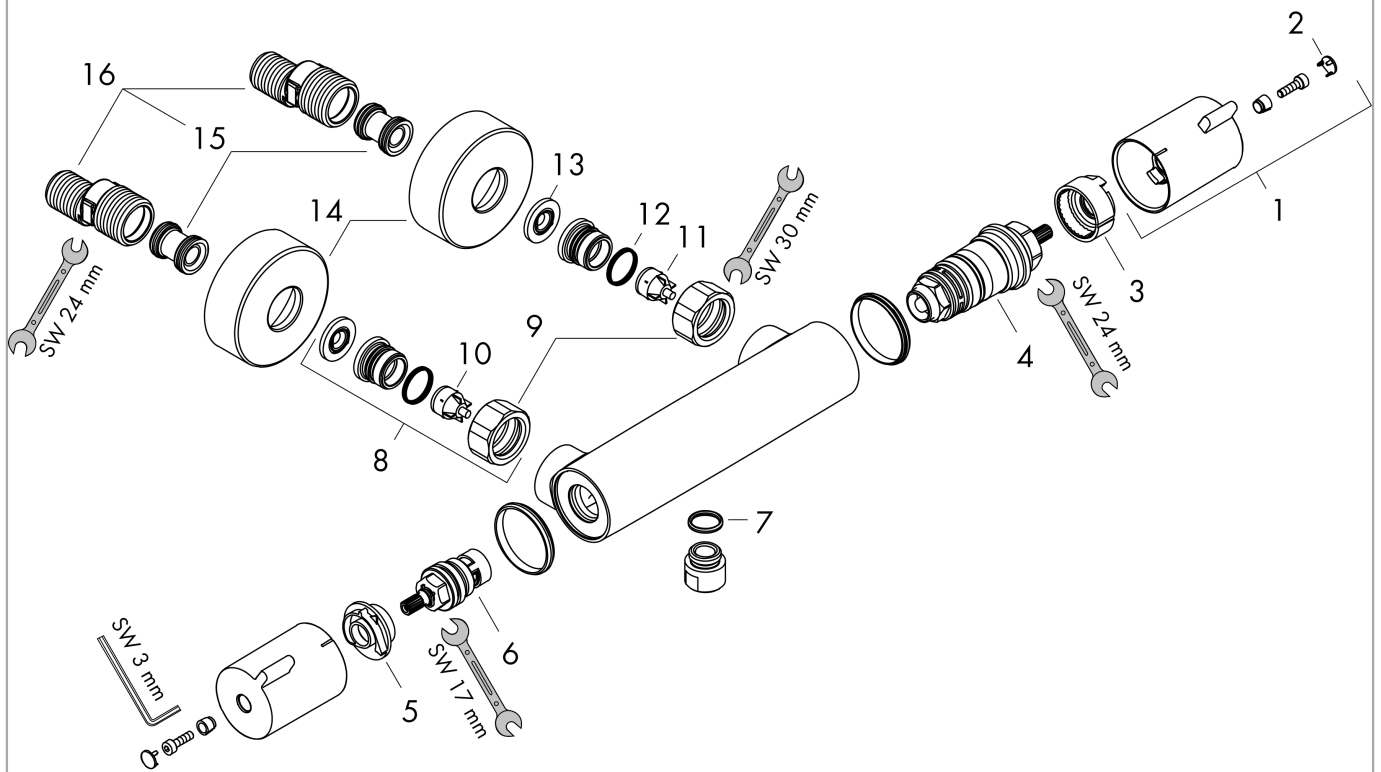


**Ecostat**  
**Shower thermostat 1001 CL for exposed installation**  
 Surfaces: **Chrome** Article Number: **13211000**



**Exploded Drawing**

Year of production: >09/19



## Ecostat

### Shower thermostat 1001 CL for exposed installation

Surfaces: **Chrome** Article Number: **13211000**



## Spare part list

Year of production: >09/19

Pos.	Description	Article Number	PC	PU
1	handle	92836000	9	1
2	cover cap	95433000	2	1
3	safety set for temperature control	95041000	5	1
4	thermostat cartridge	94282000	15	1
5	safety set for flow control	95042000	5	1
6	shut off unit	94149000	8	1
7	O-ring 14x2	98129000	1	1
8	set of unions	94285000	98	1
9	set of nuts	96157000	8	1
10	non return valve (pressure-resistant up to 2 MPa)	93136000	8	1
11	non return valve	96737000	8	1
12	O-ring 17x1,5	98137000	1	1
13	filter packing	96922000	3	1
14	escutcheon Ø 68 mm	96467000	6	1
15	noise reduction	96429000	2	1
16	set of S-unions (±12 mm)	94140000	10	1