

Metris Select M71

2-hole single lever kitchen mixer 320, pull-out spray, 2jet, sBox

Surfaces: **Chrome** Article Number: **73806000**



Description

product features

- consists of: 2-hole single lever kitchen mixer, control unit, hose box
- ComfortZone 320
- swivel range adjustable in 2 steps to 110° or 150°
- flexible position of faucet controls, 2 tap holes with Ø 35 mm required
- push of control unit: intuitive start and stop function of the water flow, turn: automatic drain operation
- laminar spray and shower spray
- lockable shower spray, spray returns automatically through handle closing
- MagFit magnetic shower support
- connection dimension: DN15
- flow rate 7 l/min
- ceramic cartridge
- connection type: G 3/8 connections
- integrated non-return valve
- suitable for continuous flow water heaters
- sBox for quiet, smooth and protected hose guidance in the cabinet, under the countertop, with extension length up to 76 cm

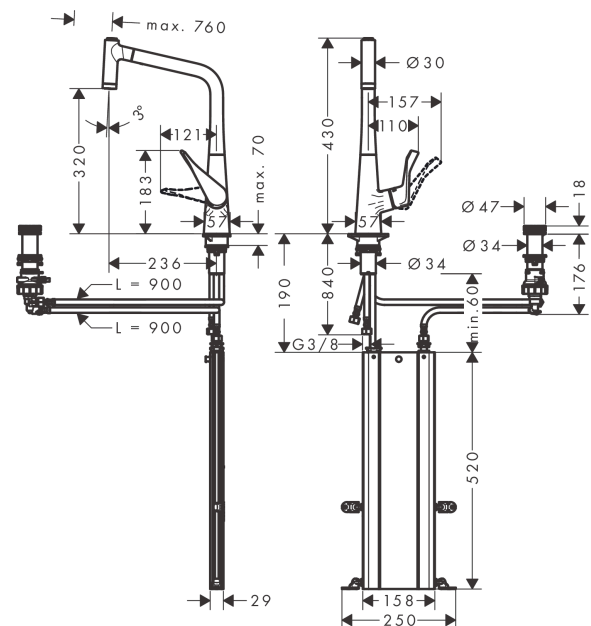
Technology



Product image



Scale drawing



Metris Select M71
2-hole single lever kitchen mixer 320, pull-out spray, 2jet, sBox
 Surfaces: **Chrome** Article Number: **73806000**



Flowchart

