

## Talis Select M51

Single lever kitchen mixer 300, pull-out spout, 1jet, sBox

Surfaces: **Chrome** Article Number: **73853000**



### Description

#### product features

- consists of: single lever kitchen mixer, hose box
- ComfortZone 300
- swivel range adjustable in 2 steps to 110° or 150°
- normal spray
- Select button for a comfortable start/stop of the water flow
- MagFit magnetic shower support
- quick connect hose
- connection dimension: DN15
- flow rate 8 l/min
- ceramic cartridge
- connection type: G 3/8 connections
- integrated non-return valve
- suitable for continuous flow water heaters
- sBox for quiet, smooth and protected hose guidance in the cabinet, under the countertop, with extension length up to 76 cm
- P-IX 28885/IA
- DVGW NW-6506CT0434
- ETA VA 1.42/20833
- ACS 15 ACC LY 473, valide jusqu'au 06.07.2020
- Kiwa K6161\_Mechanical Mixers EN817
- SVGW 1603-6493

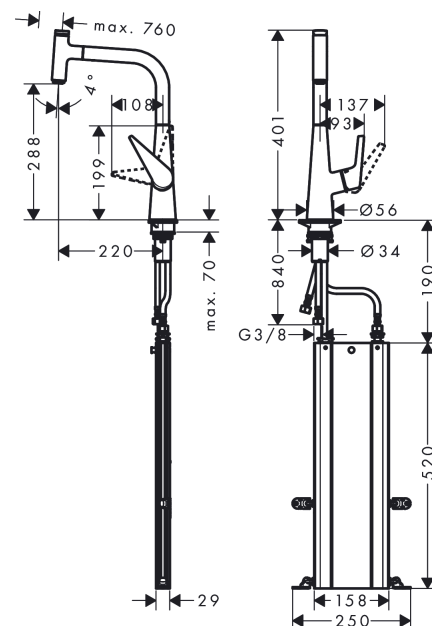
### Technology



### Product image



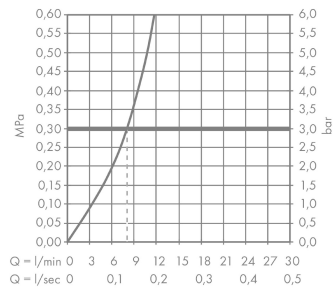
### Scale drawing



**Talis Select M51**  
**Single lever kitchen mixer 300, pull-out spout, 1jet, sBox**  
 Surfaces: **Chrome** Article Number: **73853000**



**Flowchart**

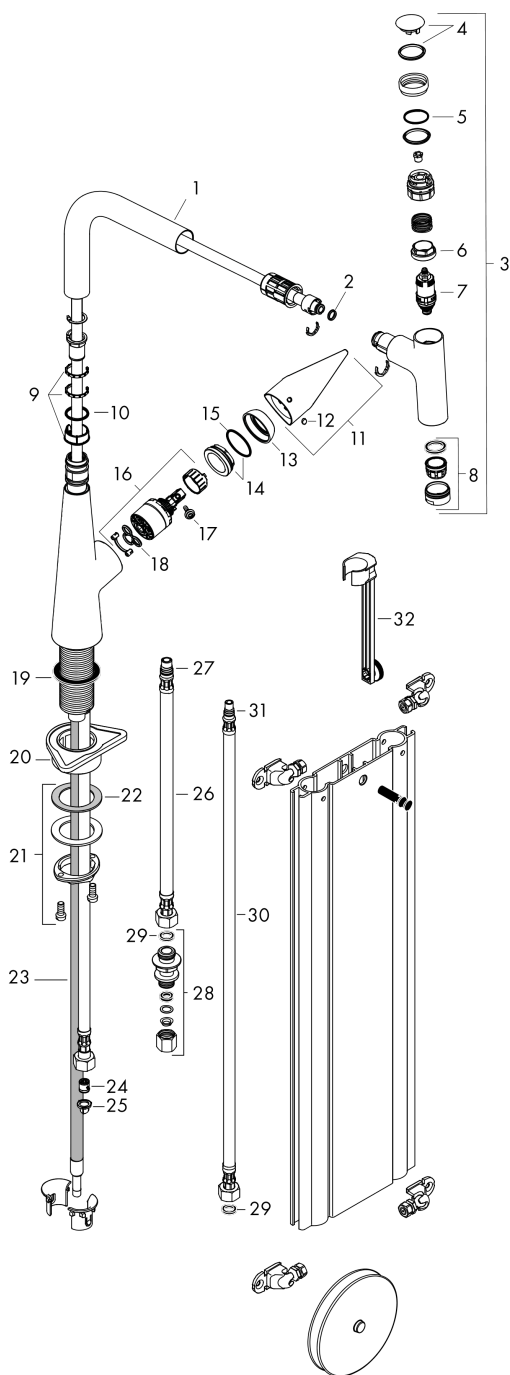


**Talis Select M51**  
**Single lever kitchen mixer 300, pull-out spout, 1jet, sBox**  
Surfaces: **Chrome** Article Number: **73853000**



**Exploded Drawing**

Year of production: >05/19



## Talis Select M51

Single lever kitchen mixer 300, pull-out spout, 1jet, sBox

Surfaces: **Chrome** Article Number: **73853000**



### Spare part list

Year of production: >05/19

| Pos. | Description                         | Article Number | PC | PU |
|------|-------------------------------------|----------------|----|----|
| 1    | spout cpl.                          | 92583000       | 12 | 1  |
| 2    | O-ring 8x2                          | 98112000       | 1  | 1  |
| 3    | handspray                           | 92570000       | 18 | 1  |
| 4    | cover                               | 92566000       | 5  | 1  |
| 5    | O-ring 19x1,5                       | 95962000       | 1  | 1  |
| 6    | nut                                 | 92567000       | 6  | 1  |
| 7    | shut off unit                       | 98463000       | 10 | 1  |
| 8    | aerator M24x1 (15 l/min)            | 13913000       | 98 | 1  |
| 9    | set of lever collars                | 98365000       | 3  | 1  |
| 10   | O-ring 21x2,5                       | 98211000       | 1  | 1  |
| 11   | handle                              | 92581000       | 10 | 1  |
| 12   | screw cover                         | 96338000       | 1  | 1  |
| 13   | flange                              | 95498000       | 3  | 1  |
| 14   | nut                                 | 97209000       | 5  | 1  |
| 15   | O-Ring 32x2                         | 98193000       | 1  | 1  |
| 16   | cartridge, assy                     | 92730000       | 11 | 1  |
| 17   | locking screw for handle            | 95140000       | 2  | 1  |
| 18   | seal                                | 95008000       | 3  | 1  |
| 19   | seal                                | 92582000       | 1  | 1  |
| 20   | support                             | 97523000       | 2  | 1  |
| 21   | fixing set (Ø 34)                   | 95049000       | 5  | 1  |
| 22   | lever collar                        | 97548000       | 1  | 1  |
| 23   | hose 1,50 m                         | 92569000       | 12 | 1  |
| 24   | non return valve DW 10              | 96456000       | 3  | 1  |
| 25   | filter packing                      | 95291000       | 4  | 1  |
| 26   | connection hose 450 mm M10x1 G3/8   | 96507000       | 9  | 1  |
| 27   | O-ring 8x1,75                       | 97827000       | 1  | 1  |
| 28   | squeezing connection                | 96099000       | 3  | 1  |
| 29   | sealing set                         | 95581000       | 2  | 1  |
| 30   | connection hose 900 mm M8x0,75 G3/8 | 95372000       | 8  | 1  |
| 31   | O-ring 7x1,5                        | 98422000       | 1  | 1  |
| 32   | extension set                       | 43333000       | 98 | 1  |