

Talis Select M51

Single lever kitchen mixer 220, pull-out spray, 2jet, sBox

Surfaces: **Chrome** Article Number: **73868000**



Description

product features

- consists of: single lever kitchen mixer, hose box
- ComfortZone 220
- swivel range adjustable in 2 steps to 110° or 150°
- laminar spray and shower spray
- lockable shower spray, spray returns through pressing spray diverter and spray returns automatically through handle closing
- Select button for a comfortable start/stop of the water flow
- MagFit magnetic shower support
- quick connect hose
- connection dimension: DN15
- flow rate 8 l/min
- ceramic cartridge
- connection type: G 3/8 connections
- integrated non-return valve
- suitable for continuous flow water heaters
- sBox for quiet, smooth and protected hose guidance in the cabinet, under the countertop, with extension length up to 76 cm

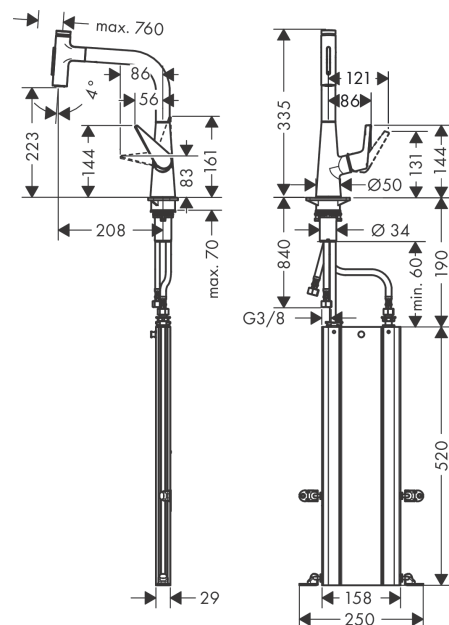
Technology



Product image



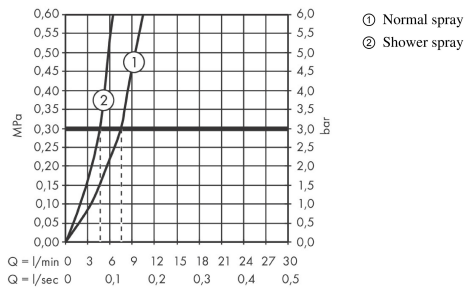
Scale drawing



Talis Select M51
Single lever kitchen mixer 220, pull-out spray, 2jet, sBox
 Surfaces: **Chrome** Article Number: **73868000**



Flowchart



The consumption was measured in combination with the appropriate fittings (thermostat/mixer/in-wall valve) to reflect actual application in practice.