

Focus

Single lever basin mixer 100 with pop-up waste set

Surfaces: **Chrome** Article Number: **31607000**



Description

product features

- consists of: single lever basin mixer, waste set
- ComfortZone 100
- projection 119 mm
- normal spray
- flow rate at 3 bar: 5 l/min
- ceramic cartridge
- temperature limitation adjustable
- suitable for continuous flow water heaters
- pop-up waste set G 1¼
- material waste set: metal
- connection dimension: DN15

Technology



Design awards

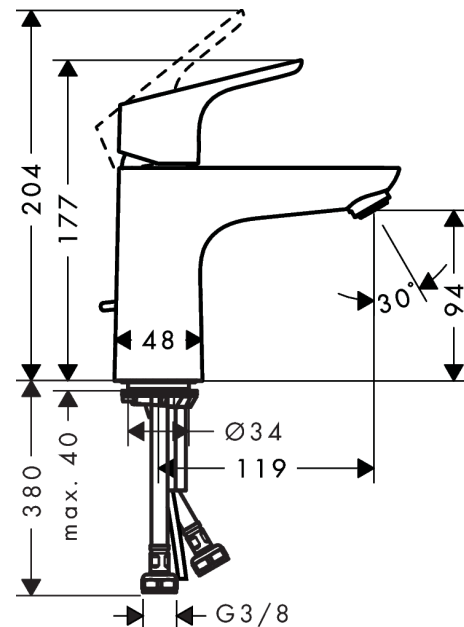


reddot design award

Product image



Scale drawing



Flowchart

- ① With flow limiter
- ② Without flow limiter